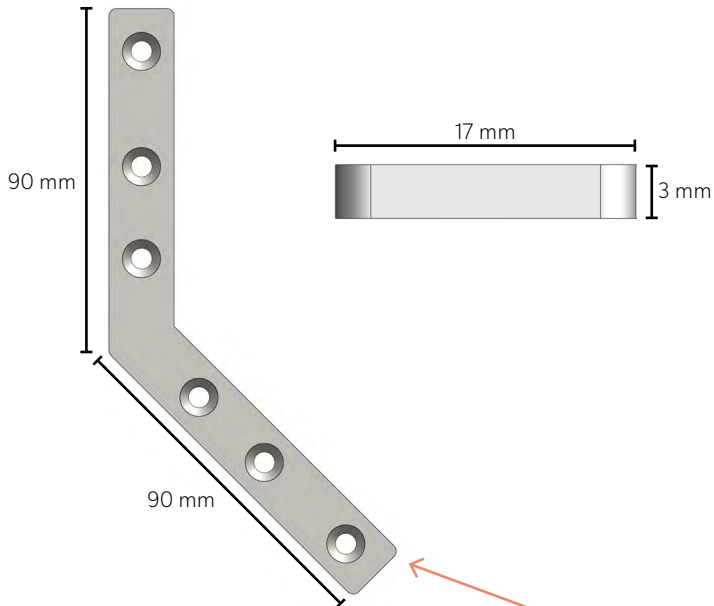


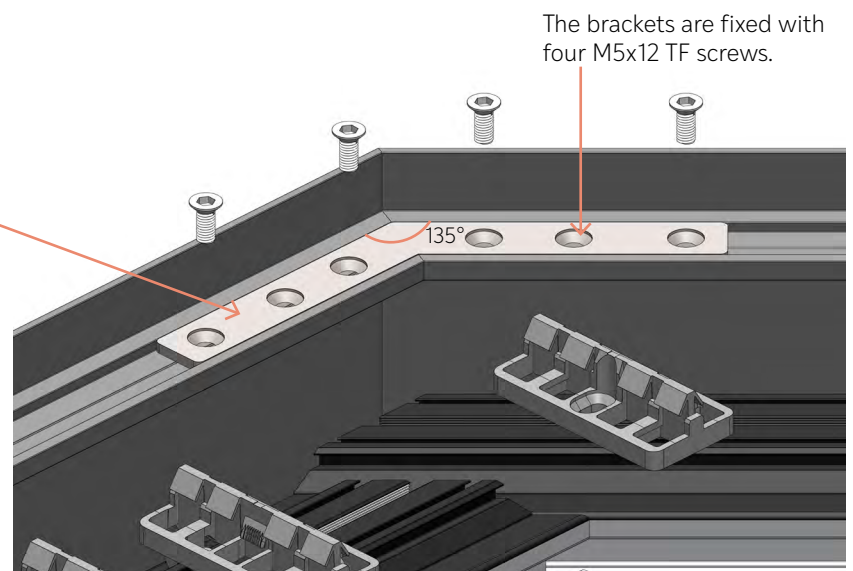
135° FLAT BRACKET

Use: To join aluminium skirting trim at a 135° angle.



TECHNICAL CHARACTERISTICS

| | |
|--------------------|-------------------------------|
| Material | Stainless steel 304 A2 |
| Weight | 60.9 g |
| Description | 135° flat bracket with screws |



The holes are recessed for countersunk screws to prevent them colliding with the decking boards.

